

# Twist electric





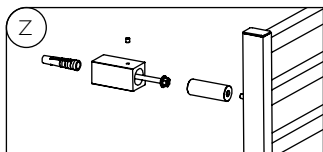
# Twist

## electric

Ref.	A mm	B mm	Elem. n.	White & Colors	Chrome & Galvanics	Weight kg
				Power W	Power W	
TWE087048T	956	480	11	300		9,3
TWE151048T	1596	480	19	600		15,8

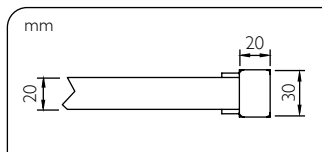
### WALL FASTENING SYSTEMS

Fissaggi a parete  
Systèmes d'installation murale  
Sistemas de fijación a la pared



### RADIATOR BODY DIMENSIONS

Dimensioni corpo  
Dimensions du corps chauffant  
Dimensiones del cuerpo calefactor



### INFRARED ON/OFF CONTROL

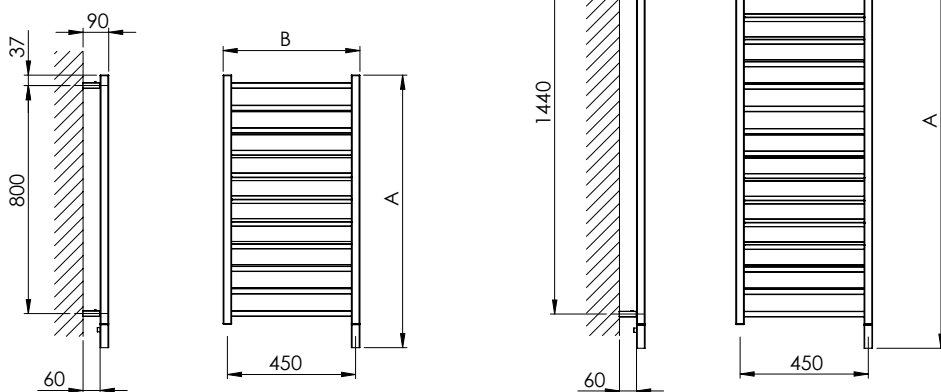
Comando On/Off a infrarosso  
Commande marche/arrêt infrarouge  
Control de encendido/apagado por infrarrojos



Class I  
IP45

A = altezza; B = larghezza  
A = height; B = width  
A = hauteur; B = largeur  
A = altura; B = ancho

[mm]



### TECHNICAL NOTES

Lunghezza cavo 1,1 mt dotato di Europlug  
Cable length 1.1 mt with Europlug  
Longueur du câble 1,1 m avec Europlug  
Longitud del cable 1,1 mt con Europlug

Alimentazione 230V - 50Hz  
230V - 50Hz power supply  
Alimentation 230V - 50Hz  
Alimentación 230V - 50Hz





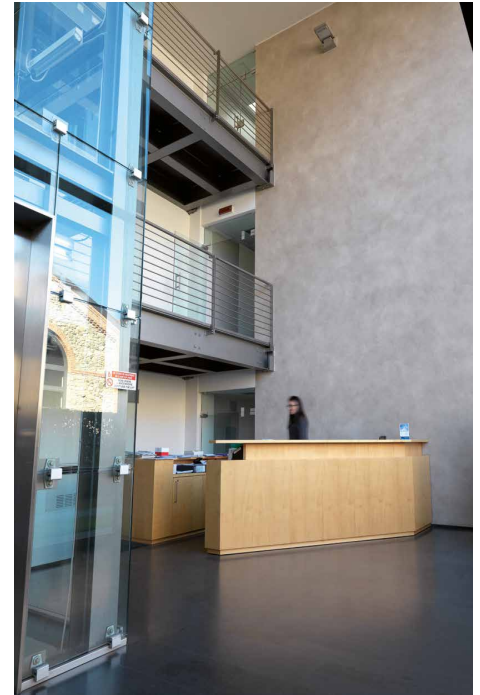


DELTACALOR

# Company profile

## Quality made in Italy

The company was founded in the mid-nineties with a traditional handcraft steel towel rail production. In 2002 the company was transformed into a real industrial reality, following the acquisition of an important group in view of the plumbing and heating sector led by CEO Giovanni Pastorino who decides to revive the company renewing its product range with new ranges of hydraulic, mixed and electrical steel towel warmers and radiators with exclusive technology and design. Deltacalor is strongly characterized by a 360° approach that incorporates technology, practicality and aesthetics. The constant Research and Development on materials, shapes, finishes and processes leads the company to the launch of major patented products, tangible evidence of real and concrete innovations. Not only the heating elements, but also expression of an innate attitude in the search of the best way to provide comfort and well-being at the service of man. High functionality, energy saving, easy installation, high quality are, in fact, the advantages of a production able to meet and anticipate the needs of designers, architects, installers and end users.







DELTACALOR

# Company profile

## Production takes place in Italy

Production takes place in Italy, in the state of the art plant of Calolziocorte (LC), on a surface of approximately 10,000 sqm. We use the most innovative and advanced production methods: from welding to painting, to a well established quality control system based on the highest market standards. Production know-how is one of Deltacalor strengths: the company can produce a high number of parts using highly automated systems, but is also capable of meeting the different degrees of customisations that the market requires. All this, with the utmost attention to process control, ensured by a team of experienced professionals.

Deltacalor takes advantage of a young and dynamic workforce of 50 employees, capable of meeting all the needs of our customers, and ready to take on the challenges of the market. This is the winning combination of the company that always ensures precise and timely service.



**White**  
Standard  
Deltacolor white



**Chrome**

**Pastels**  
Coarse or Matt

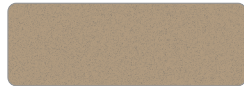
9016  
Traffic white



1013  
Oyster white



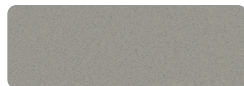
1019  
Grey beige



7006  
Beige grey



7030  
Stone grey



7047  
Telegrey 4



7040  
Window grey



7043  
Traffic grey B



9005  
Jet black



**Specials**  
Coarse



7048  
Pearl mouse grey



2  
Quartz sand



6  
Quartz gray

by  
*Andrea Castriano*



10  
Army



11  
Petrol



12  
Laguna



13  
Balena



14  
Rouille

**Plate Lux**  
(Inox Steel Cover)

Flowered



Gold mirror



Black mirror



Copper mirror



**Galvanics**

Glossy or Matt



British Gold



Bronze Copper



Astana Brass

## colors

Non considerare i colori perfettamente fedeli per limiti di stampa e illuminazione.

Do not consider colors as exactly trustable because of printing and light limits.

Ne pas considérer les couleurs comme exactement correspondants suite à limites de imprimerie et de lumière.

No tenir en consideracion los colores como perfectamente igual para limitaciones de imprenta y de luz.