

# Hot pop





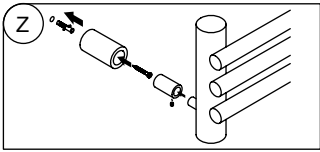
# Hot pop

Ref.	A mm	B mm	C mm	Elem. n.	White & Colors			Chrome & Galvanics			Weight kg	Cap. lt	Esp. "n"	
					$\Delta t = 50^\circ$ W	$\Delta t = 30^\circ$ W	Heater for mixed W	$\Delta t = 50^\circ$ W	$\Delta t = 30^\circ$ W	Heater for mixed W				
860	HOP086048	868	480	350	12	313	162	300	197	120	300	10,4	3,0	1,28
1170	HOP117048	1174	480	350	16	405	211	300	312	184	300	13,6	4,1	1,27
1780	HOP178048	1786	480	350	24	630	330	600	471	279	600	18,7	6,2	1,27

kcal/h = 0,86 x Watt

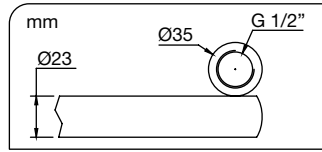
## WALL FASTENING SYSTEMS

Fissaggi a parete  
Systèmes d'installation murale  
Sistemas de fijación a la pared



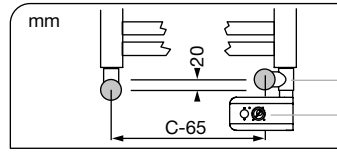
## RADIATOR BODY DIMENSIONS

Dimensioni corpo  
Dimensions du corps chauffant  
Dimensiones del cuerpo calefactor



## INSTALLATION WITH HEATER AND "T"

Installazione versione mista con "T"  
Installation avec résistance électrique et "T"  
Instalación con resistencia eléctrica y "T"

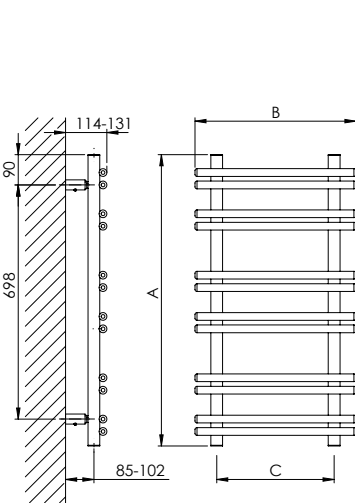


Raccordo a "T"  
"T" fitting  
Raccord en "T"  
Conexión en "T"

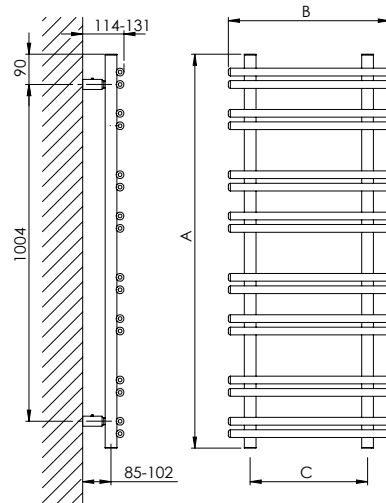
Resistenza con termostato  
Resistance with thermostat  
Résistance avec thermostat  
Resistencia con termostato

A = altezza; B = larghezza; C = interasse  
A = height; B = width; C = interaxis  
A = hauteur; B = largeur; C = entraxe  
A = altura; B = ancho; C = entre ejes

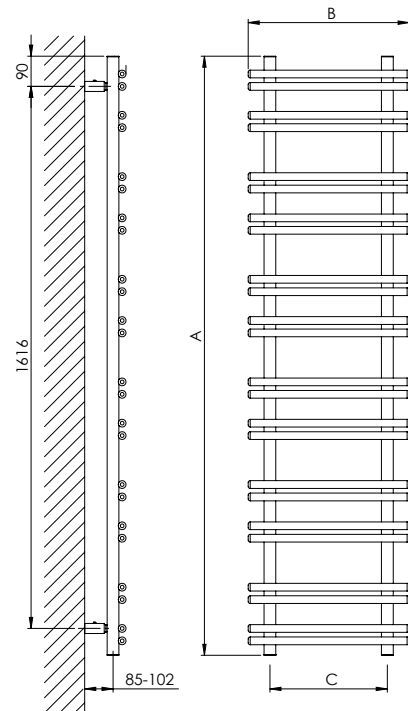
[mm]



Mod. HOP086048



Mod. HOP117048



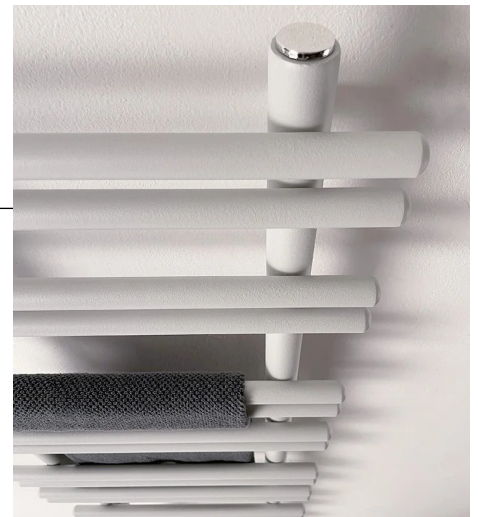
Mod. HOP178048

## TECHNICAL NOTES

Temperatura max di esercizio: 90 °C  
Maximum operating temperature: 90 °C  
Température maximum de fonctionnement: 90 °C  
Temperatura máx de funcionamiento: 90 °C

Pressione max di esercizio: 500 kPa  
Maximum operating pressure: 500 kPa  
Pression maximum de fonctionnement: 500 kPa  
Presión máx de funcionamiento: 500 kPa

Per impianto monotubo consultare note tecniche di dettaglio pag. 159  
For single pipe installation, please consult technical notes page 161  
Pour installation monotube consulter les renseignements techniques détaillés pag. 163  
Para instalaciones monotubo consulte las informaciones técnicas detalladas pag. 165



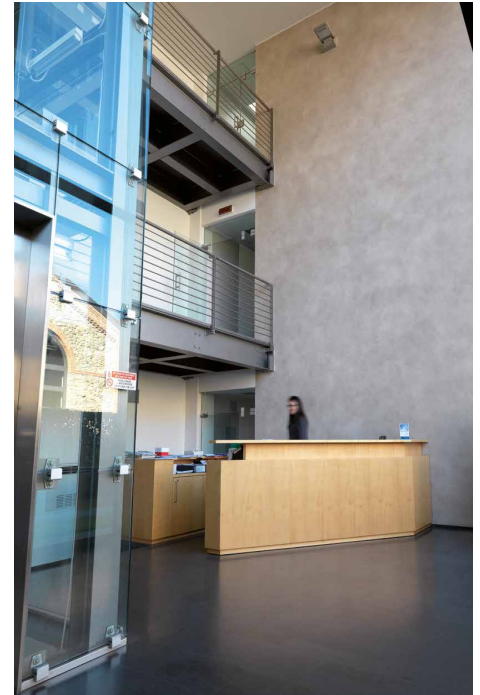


DELTACALOR

# Company profile

## Quality made in Italy

The company was founded in the mid-nineties with a traditional handcraft steel towel rail production. In 2002 the company was transformed into a real industrial reality, following the acquisition of an important group in view of the plumbing and heating sector led by CEO Giovanni Pastorino who decides to revive the company renewing its product range with new ranges of hydraulic, mixed and electrical steel towel warmers and radiators with exclusive technology and design. Deltacalor is strongly characterized by a 360° approach that incorporates technology, practicality and aesthetics. The constant Research and Development on materials, shapes, finishes and processes leads the company to the launch of major patented products, tangible evidence of real and concrete innovations. Not only the heating elements, but also expression of an innate attitude in the search of the best way to provide comfort and well-being at the service of man. High functionality, energy saving, easy installation, high quality are, in fact, the advantages of a production able to meet and anticipate the needs of designers, architects, installers and end users.





DELTACALOR

# Company profile

## Production takes place in Italy

Production takes place in Italy, in the state of the art plant of Calolziocorte (LC), on a surface of approximately 10,000 sqm. We use the most innovative and advanced production methods: from welding to painting, to a well established quality control system based on the highest market standards. Production know-how is one of Deltacalor strengths: the company can produce a high number of parts using highly automated systems, but is also capable of meeting the different degrees of customisations that the market requires. All this, with the utmost attention to process control, ensured by a team of experienced professionals.

Deltacalor takes advantage of a young and dynamic workforce of 50 employees, capable of meeting all the needs of our customers, and ready to take on the challenges of the market. This is the winning combination of the company that always ensures precise and timely service.



**White**  
Standard  
Deltacolor white



**Chrome**

**Pastels**  
Coarse or Matt

9016  
Traffic white



1013  
Oyster white



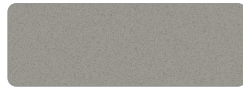
1019  
Grey beige



7006  
Beige grey



7030  
Stone grey



7047  
Telegrey 4



7040  
Window grey



7043  
Traffic grey B



9005  
Jet black



**Specials**  
Coarse



7048  
Pearl mouse grey



2  
Quartz sand



6  
Quartz gray

by  
*Andrea Castriano*



10  
Army



11  
Petrol



12  
Laguna



13  
Balena



14  
Rouille

**Plate Lux**  
(Inox Steel Cover)

Flowered



Gold mirror



Black mirror



Copper mirror



**Galvanics**

Glossy or Matt



British Gold



Bronze Copper



Astana Brass

## colors

Non considerare i colori perfettamente fedeli per limiti di stampa e illuminazione.

Do not consider colors as exactly trustable because of printing and light limits.

Ne pas considérer les couleurs comme exactement correspondants suite à limites de imprimerie et de lumière.

No tenir en consideracion los colores como perfectamente igual para limitaciones de imprenta y de luz.