

flag





technical data

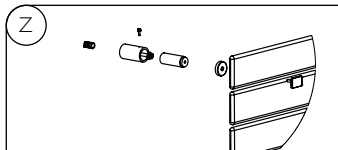
flag

	Ref.	A	B	C	White & Colors		Weight	Cap.
					$\Delta t=50^{\circ}\text{C}$	$\Delta t=30^{\circ}\text{C}$		
					W	W		
840 9 elements elemente éléments elementos	FA084050	840	500	50	370	200	7,7	3,5
1140 12 elements elemente éléments elementos	FA114050	1142	500	50	525	284	11,2	5,1
1450 15 elements elemente éléments elementos	FA144050	1448	500	50	640	347	13,8	6,3
1750 18 elements elemente éléments elementos	FA175050	1752	500	50	740	401	17,1	7,8

$$\text{kcal/h} = 0,86 \times \text{Watt}$$

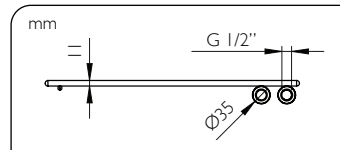
Wall fastening systems

Befestigungssysteme an der Wand
Systèmes d'installation murale
Sistemas de fijación a la pared

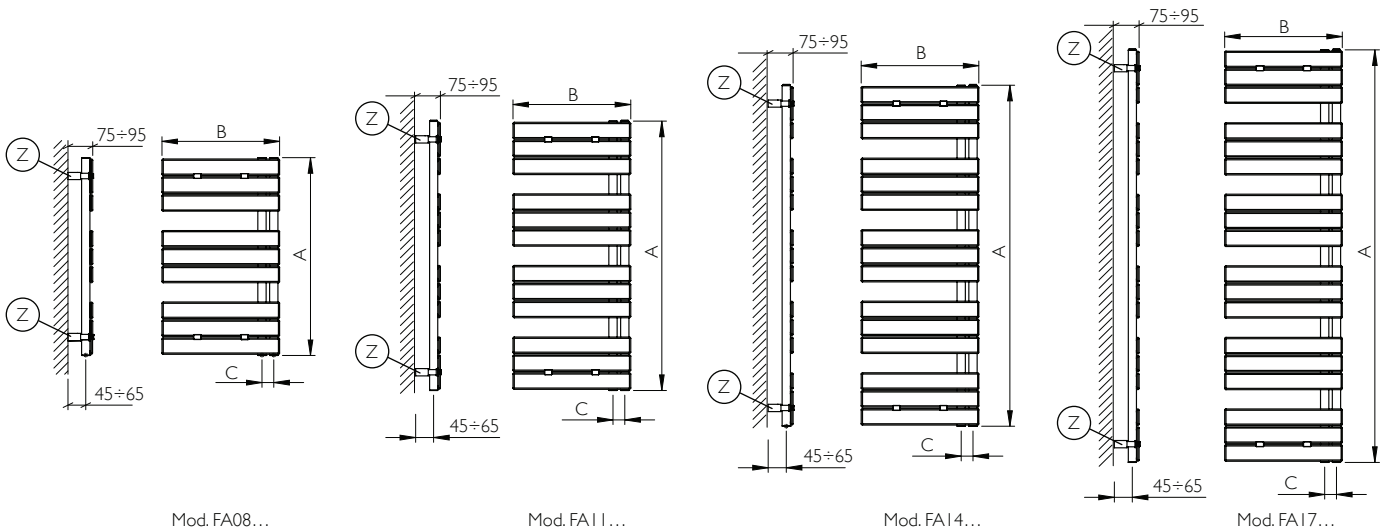


Radiator body dimensions

Größe des Heizkörpers
Dimensions du corps chauffant
Dimensiones del cuerpo calefactor



Measures in mm: A=height B=width C=interaxis
Abmessungen in mm: A=Höhe B=Breite C=Achsabstand
Mesures en mm: A=hauteur B=largeur C=entre axe
Medidas en mm: A=altura B=ancho C=entre eje



technical notes

Maximum operating temperature: 90 °C

Max. Betriebstemperatur: 90° C

Température maximum de fonctionnement: 90 °C

Temperatura máx de funcionamiento: 90 °C

Maximum operating pressure: 400 kPa

Max. Betriebsdruck: 400 kPa

Pression maximum de fonctionnement: 400 kPa

Presión máx de funcionamiento: 400 kPa



Wall fastening systems are white for "9010" version, chromed for "chrome" & "colors" versions

Wall fastening systems are white for "9010" version, chromed for "colors" versions

Les systèmes d'installation sont blanc pour la version "9010", chromés pour les versions "colors"

Los sistemas de fijación son blancos para la versión "9010", cromados para las versiones "colors"

For single pipe installation, please consult technical notes Pag.323

Bei dem Einrohrsystem lesen Sie die technischen Daten auf Seite 325

Pour installation monotube consulter les renseignements techniques détaillés Pag. 327

Para instalaciones monotubo consulte las informaciones técnicas detalladas Pag. 329

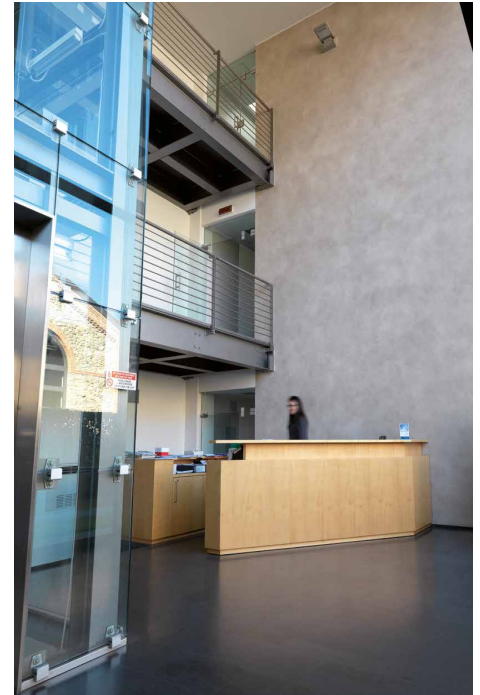


DELTACALOR

Company profile

Quality made in Italy

The company was founded in the mid-nineties with a traditional handcraft steel towel rail production. In 2002 the company was transformed into a real industrial reality, following the acquisition of an important group in view of the plumbing and heating sector led by CEO Giovanni Pastorino who decides to revive the company renewing its product range with new ranges of hydraulic, mixed and electrical steel towel warmers and radiators with exclusive technology and design. Deltacalor is strongly characterized by a 360° approach that incorporates technology, practicality and aesthetics. The constant Research and Development on materials, shapes, finishes and processes leads the company to the launch of major patented products, tangible evidence of real and concrete innovations. Not only the heating elements, but also expression of an innate attitude in the search of the best way to provide comfort and well-being at the service of man. High functionality, energy saving, easy installation, high quality are, in fact, the advantages of a production able to meet and anticipate the needs of designers, architects, installers and end users.





DELTACALOR

Company profile

Production takes place in Italy

Production takes place in Italy, in the state of the art plant of Calolziocorte (LC), on a surface of approximately 10,000 sqm. We use the most innovative and advanced production methods: from welding to painting, to a well established quality control system based on the highest market standards. Production know-how is one of Deltacalor strengths: the company can produce a high number of parts using highly automated systems, but is also capable of meeting the different degrees of customisations that the market requires. All this, with the utmost attention to process control, ensured by a team of experienced professionals.

Deltacalor takes advantage of a young and dynamic workforce of 50 employees, capable of meeting all the needs of our customers, and ready to take on the challenges of the market. This is the winning combination of the company that always ensures precise and timely service.



color chart

9010
Pure white



Chrome



colors

Non considerare i colori perfettamente fedeli per limiti di stampa e illuminazione.

Do not consider colors as exactly trustable because of printing and light limits.

Die Farben sind wegen licht und druckbeschränkungen nicht genau zu betrachten.

Ne pas considérer les couleurs comme exactement correspondants suite à limites de imprimerie et de lumière.

No tenir en consideracion los colores como perfectamente igual para limitaciones de imprenta y de luz.

PASTELS

9016
Traffic white



1013
Oyster white



1015
Light ivory



1019
Grey beige



7006
Beige grey



7030
Stone grey



7047
Telegrey 4



7040
Window grey



7043
Traffic grey B



8019
Grey brown



9005
Jet black



COARSE

GLOSSY

MATT



SPECIALS

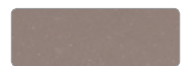
9006
White aluminium



9007
Grey aluminium



7048
Pearl mouse grey



1
Quartz cream



2
Quartz sand



3
Quartz stone



4
Quartz sugar paper



5
Corten steel



6
Quartz gray



7
Quartz black



COARSE

GLOSSY

MATT