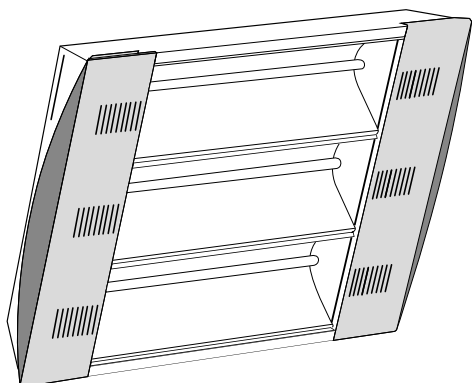


IRC NOVUS

new

Infrared
Long range



USE CASES

- ▶ Warehouses
- ▶ Workshops
- ▶ Places of worship
- ▶ ...



Objective: localized heating of workstations



ADVANTAGES

- ▶ **HeLen lamp:** fast, efficient heating, long life.
- ▶ **Large range:** 3 power ratings available to suit different requirements.

They heat even the toughest environments

Concentrated long-range reflector heat is the most effective solution for **heating at height in areas deemed unheatable**. That's why IRCs can be found in churches, café terraces, factories and so on.

They radiate localised, comfortable heat

90% of the heat is directed in a concentrated way towards the workstation or area to be heated, which makes it possible to combat discomfort whatever the situation.
The sensation of warmth is instantly perceptible.

They are easy to install

The IRC features a multi-directional bracket that allows wall or ceiling mounting for **horizontal or 180° vertical rotation**.

Designed to last

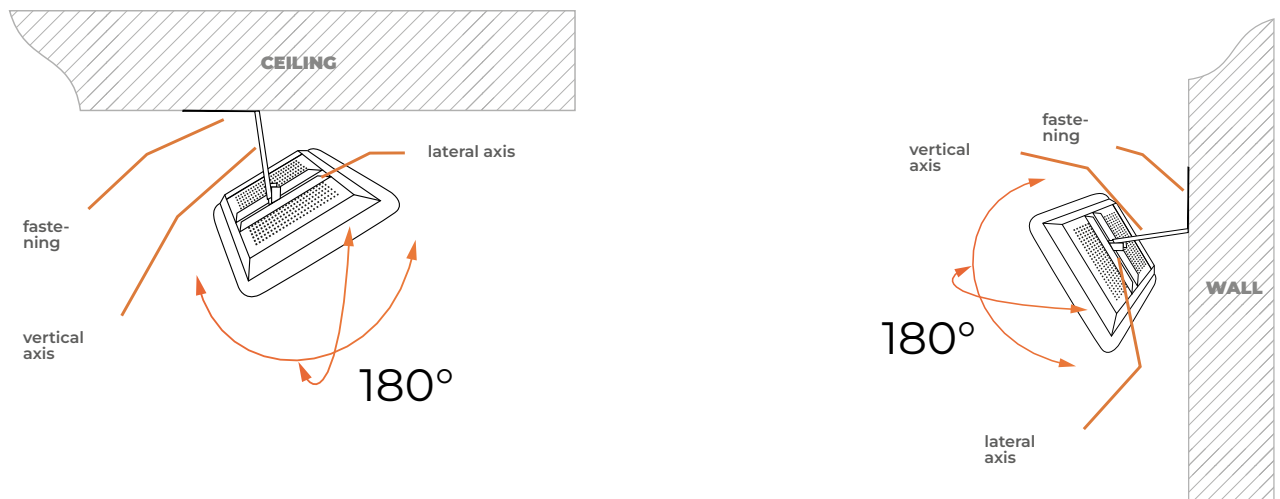
Their robust epoxy steel bodywork guarantees long life. **A protective grille** is also available (as an option) to protect the device from knocks and ensure safety when it is within easy reach.

IRC NOVUS

Infrared
Long range

A universal multi-position support that is practical and easy to install

As a result of its special multi-position bracket, which can be mounted on the wall or ceiling, the appliance can be oriented in any direction, horizontally or vertically, to optimise the heat flow.



Protective grille (optional)

It protects appliances when they are installed in high-risk environments such as sports halls or near high-traffic areas.



Image for informational purposes only

Determining the power to be installed

When selecting equipment, you need to consider their height and method of installation as well as the power required according to the type of premises.

- 150 to 300 W/m² in enclosed spaces

- 300 to 600 W/m² sheltered outdoors

Use the table opposite to determine the type of IRC to be installed:

- IRC horizontal installation
- IRC installation at 45°

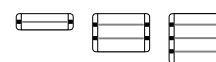
IRC horizontal installation

Power per unit area W/m ² (W/m ²)	Height in metres										
	3	3,5	4	4,5	5	5,5	6	6,5	7	7,5	8
150	1500	1500	1500	1500	1500	3000	3000	3000	3000	4500	4500
200	1500	1500	1500	1500	3000	3000	3000	4500	4500	4500	4500
250	1500	1500	1500	3000	3000	4500	4500	4500	4500	4500	4500
300	1500	1500	3000	3000	4500	4500	4500	4500	4500	4500	4500
350	1500	3000	3000	4500	4500	4500	4500	4500	4500	4500	4500
400	1500	3000	4500	4500	4500	4500	4500	4500	4500	4500	4500
450	3000	3000	4500	4500	4500	4500	4500	4500	4500	4500	4500
500	3000	3000	4500	4500	4500	4500	4500	4500	4500	4500	4500
550	3000	4500	4500	4500	4500	4500	4500	4500	4500	4500	4500
600	3000	4500	4500	4500	4500	4500	4500	4500	4500	4500	4500

IRC installation at 45°

Power per unit area W/m ² (W/m ²)	Height in metres										
	3	3,5	4	4,5	5	5,5	6	6,5	7	7,5	8
150	1500	1500	3000	3000	4500	4500	4500	4500	4500	4500	4500
200	1500	3000	3000	4500	4500	4500	4500	4500	4500	4500	4500
250	3000	3000	4500	4500	4500	4500	4500	4500	4500	4500	4500
300	3000	4500	4500	4500	4500	4500	4500	4500	4500	4500	4500
350	4500	4500	4500	4500	4500	4500	4500	4500	4500	4500	4500
400	4500	4500	4500	4500	4500	4500	4500	4500	4500	4500	4500
450	4500	4500	4500	4500	4500	4500	4500	4500	4500	4500	4500
500	4500	4500	4500	4500	4500	4500	4500	4500	4500	4500	4500
550	4500	4500	4500	4500	4500	4500	4500	4500	4500	4500	4500
600	4500	4500	4500	4500	4500	4500	4500	4500	4500	4500	4500

IRC NOVUS INFORMATION



Power (W)	L x H x W* (mm)	Weight (kg)	Information back reflector model
HELEN LAMP			
1500	531 x 146 x 130 cm	2,2	M167223
3000	531 x 263 x 130 cm	3,6	M167226
4500	531 x 389 x 130	5,0	M167228

Higher power ratings are obtained by adding modules: example: 9 kW = 2 x 4.5 kW - Frame colour: Mimetic white RAL9002

* Without installation support

Accessories	Information
Protective grille for 1500 W	M090050
Protective grille for 3000 W	M090051
Protective grille for 4500 W	M090052

	Voltage for all models: Single-phase 230 V 4500 W model: Single-phase 230 V, Three-phase 230 V and Three-phase 400 V	Class I IP22 - IK08**	2-year warranty
--	---	--------------------------	-----------------

** With protective grille