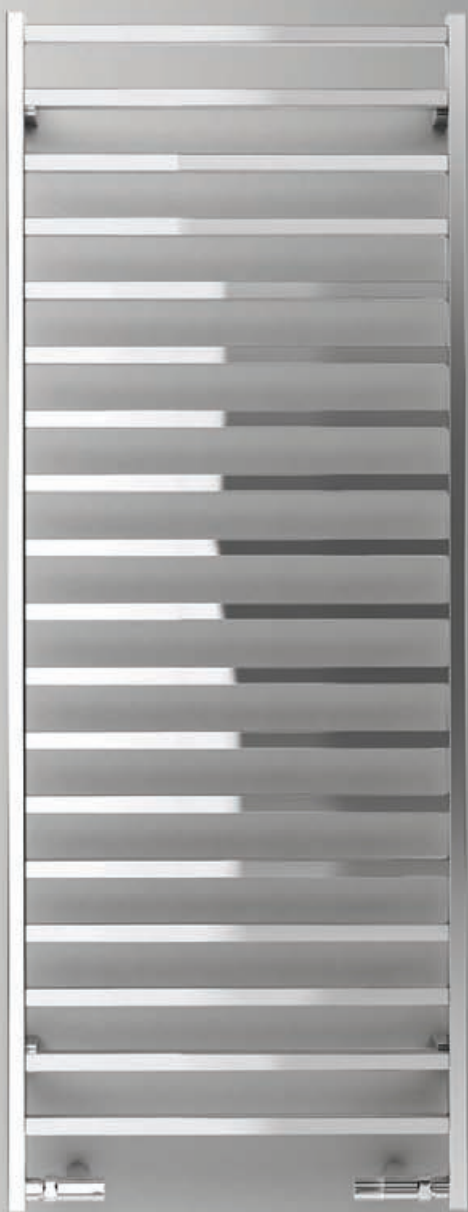


slim-Q



slim-Q





technical data

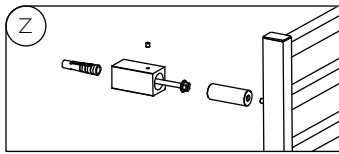
slim-Q

	Ref.	A	B	C	White & Colors		Chrome		Weight	Cap.
					$\Delta t=50^{\circ}\text{C}$	$\Delta t=30^{\circ}\text{C}$	$\Delta t=50^{\circ}\text{C}$	$\Delta t=30^{\circ}\text{C}$		
					W	W	W	W		
081 11 pipes Rohre tubes tubos	SQ081050	810	500	350	329	176	214	112	6,2	2,2
	SQ081060	810	600	450	381	203	248	130	7,2	2,5
130 18 pipes Rohre tubes tubos	SQ130050	1300	500	350	537	286	349	183	10,1	3,6
	SQ130060	1300	600	450	621	331	404	212	11,7	4,1
172 24 pipes Rohre tubes tubos	SQ172050	1720	500	350	713	380	463	243	13,4	4,8
	SQ172060	1720	600	450	826	441	537	282	15,5	5,4

$$\text{kcal/h} = 0,86 \times \text{Watt}$$

Wall fastening systems

Befestigungssysteme an der Wand
Systèmes d'installation murale
Sistemas de fijación a la pared

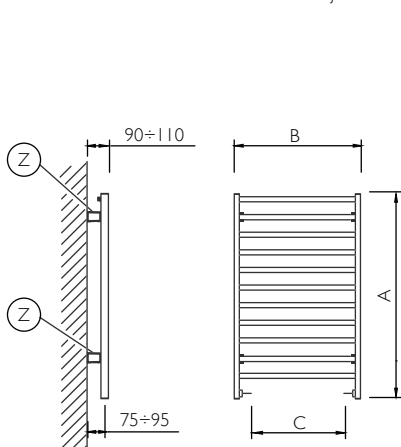


Radiator body dimensions

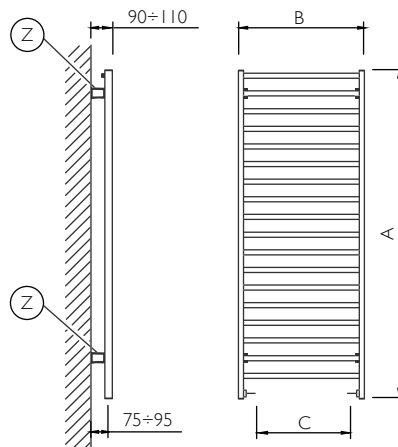
Größe des Heizkörpers
Dimensions du corps chauffant
Dimensiones del cuerpo calefactor



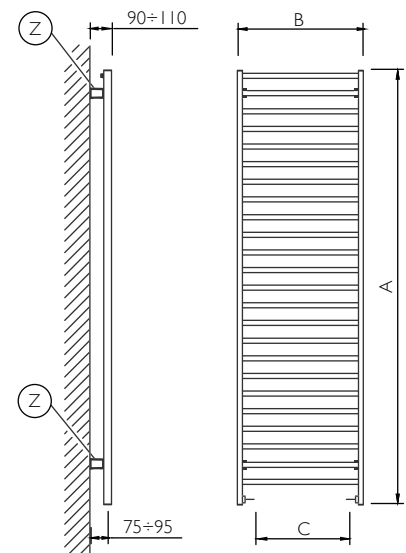
Measures in mm: A=height B=width C=interaxis
Abmessungen in mm: A=Höhe B=Breite C=Achsabstand
Mesures en mm: A=hauteur B=largeur C=entraxe
Medidas en mm: A=altura B=ancho C=entre eje



Mod. SQ0810...



Mod. SQ1300...



Mod. SQ1720...

technical notes

Maximum operating temperature: 90 °C
Max. Betriebstemperatur: 90° C
Température maximum de fonctionnement: 90 °C
Temperatura máx de funcionamiento: 90 °C

Not available for single-pipe system
Für das Einrohrsystem nicht verfügbar
Non disponible pour installation mono-tube
No está disponible para instalación monotubo

Maximum operating pressure: 500 kPa
Max. Betriebsdruck: 500 kPa
Pression maximum de fonctionnement: 500 kPa
Presión máx de funcionamiento: 500 kPa



slim-C



slim-C





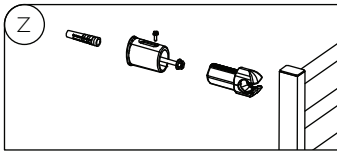
technical data slim-C

	Ref.	A mm	B mm	C mm	White & Colors		Chrome		Weight kg	Cap. Lt
					$\Delta t=50^{\circ}\text{C}$	$\Delta t=30^{\circ}\text{C}$	$\Delta t=50^{\circ}\text{C}$	$\Delta t=30^{\circ}\text{C}$		
					W	W	W	W		
081 11 pipes Rohre tubos	SC081050	810	500	350	312	166	206	110	4,1	2,1
	SC081060	810	600	450	358	191	236	126	4,6	2,3
130 18 pipes Rohre tubos	SC130050	1300	500	350	507	270	325	173	6,7	3,3
	SC130060	1300	600	450	582	310	384	205	7,6	3,8
172 24 pipes Rohre tubos	SC172050	1720	500	350	674	360	445	237	8,9	4,4
	SC172060	1720	600	450	774	413	511	273	10,1	5,1

$$\text{kcal/h} = 0,86 \times \text{Watt}$$

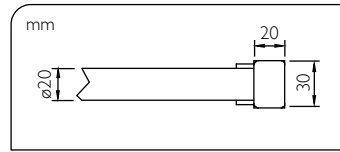
Wall fastening systems

Befestigungssysteme an der Wand
Systèmes d'installation murale
Sistemas de fijación a la pared

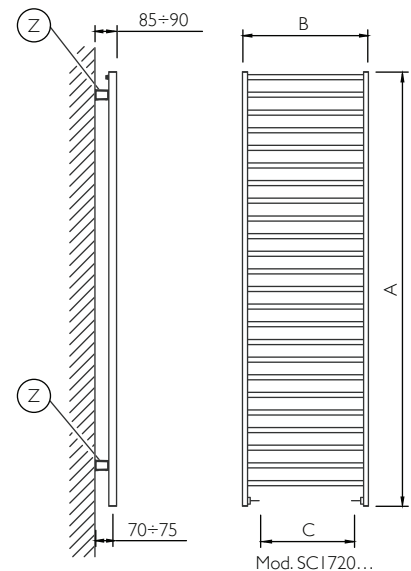
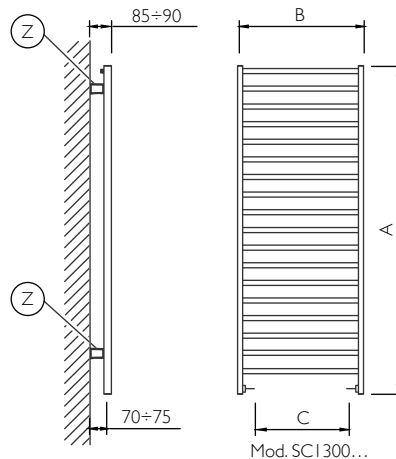
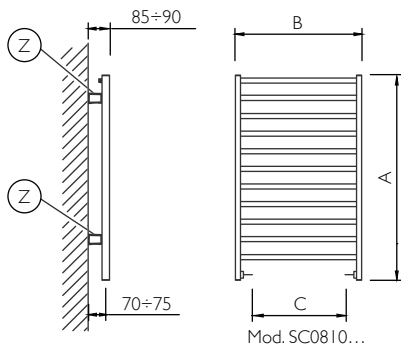


Radiator body dimensions

Größe des Heizkörpers
Dimensions du corps chauffant
Dimensiones del cuerpo calefactor



Measures in mm: A=height B=width C=interaxis
Abmessungen in mm: A=Höhe B=Breite C=Achsabstand
Mesures en mm: A=hauteur B=largeur C=entraxe
Medidas en mm: A=altura B=ancho C=entre eje



technical notes

Maximum operating temperature: 90 °C
Max. Betriebstemperatur: 90° C
Température maximum de fonctionnement: 90 °C
Temperatura máx de funcionamiento: 90 °C

Maximum operating pressure: 500 kPa
Max. Betriebsdruck: 500 kPa
Pression maximum de fonctionnement: 500 kPa
Presión máx de funcionamiento: 500 kPa



Wall fastening systems are white for "9010" version, chromed for "chrome" & "colors" versions
Die Befestigungselemente sind für die Ausführung "9010" weiß und für Ausführungen "chrome & colours" verchromt
Les systèmes d'installation sont blancs pour la version "9010", chromés pour les versions "chrome" & "colors"
Los sistemas de fijación son blancos para la versión "9010", cromados para las versiones "chrome" & "colors"

Not available for single-pipe system
Für das Einrohrsystem nicht verfügbar
Non disponible pour installation mono-tube
No está disponible para instalación monotubo

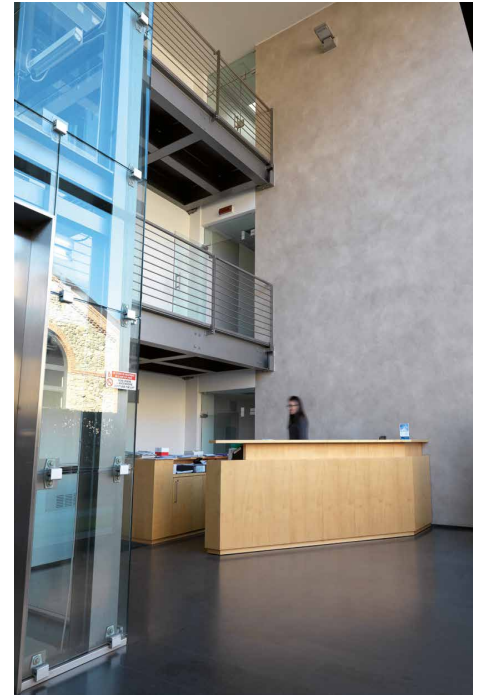


DELTACALOR

Company profile

Quality made in Italy

The company was founded in the mid-nineties with a traditional handcraft steel towel rail production. In 2002 the company was transformed into a real industrial reality, following the acquisition of an important group in view of the plumbing and heating sector led by CEO Giovanni Pastorino who decides to revive the company renewing its product range with new ranges of hydraulic, mixed and electrical steel towel warmers and radiators with exclusive technology and design. Deltacalor is strongly characterized by a 360° approach that incorporates technology, practicality and aesthetics. The constant Research and Development on materials, shapes, finishes and processes leads the company to the launch of major patented products, tangible evidence of real and concrete innovations. Not only the heating elements, but also expression of an innate attitude in the search of the best way to provide comfort and well-being at the service of man. High functionality, energy saving, easy installation, high quality are, in fact, the advantages of a production able to meet and anticipate the needs of designers, architects, installers and end users.





DELTACALOR

Company profile

Production takes place in Italy

Production takes place in Italy, in the state of the art plant of Calolziocorte (LC), on a surface of approximately 10,000 sqm. We use the most innovative and advanced production methods: from welding to painting, to a well established quality control system based on the highest market standards. Production know-how is one of Deltacalor strengths: the company can produce a high number of parts using highly automated systems, but is also capable of meeting the different degrees of customisations that the market requires. All this, with the utmost attention to process control, ensured by a team of experienced professionals.

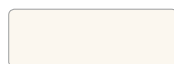
Deltacalor takes advantage of a young and dynamic workforce of 50 employees, capable of meeting all the needs of our customers, and ready to take on the challenges of the market. This is the winning combination of the company that always ensures precise and timely service.



color chart

9010

Pure white



Chrome



colors

Non considerare i colori perfettamente fedeli per limiti di stampa e illuminazione.

Do not consider colors as exactly trustable because of printing and light limits.

Die Farben sind wegen licht und druckbeschränkungen nicht genau zu betrachten.

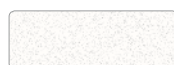
Ne pas considérer les couleurs comme exactement correspondants suite à limites de imprimerie et de lumière.

No tenir en consideracion los colores como perfectamente igual para limitaciones de imprenta y de luz.

PASTELS

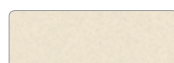
9016

Traffic white



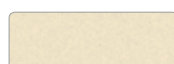
1013

Oyster white



1015

Light ivory



1019

Grey beige



7006

Beige grey



7030

Stone grey



7047

Telegrey 4



7040

Window grey



7043

Traffic grey B



8019

Grey brown



9005

Jet black



SPECIALS

9006

White aluminium



9007

Grey aluminium



7048

Pearl mouse grey



1

Quartz cream



2

Quartz sand



3

Quartz stone



4

Quartz sugar paper



5

Corten steel



6

Quartz gray



7

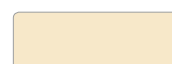
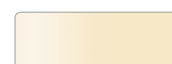
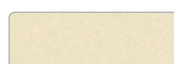
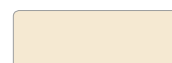
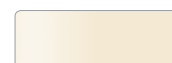
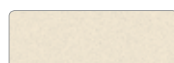
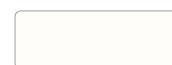
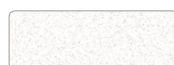
Quartz black



COARSE

GLOSSY

MATT



COARSE

GLOSSY

MATT

